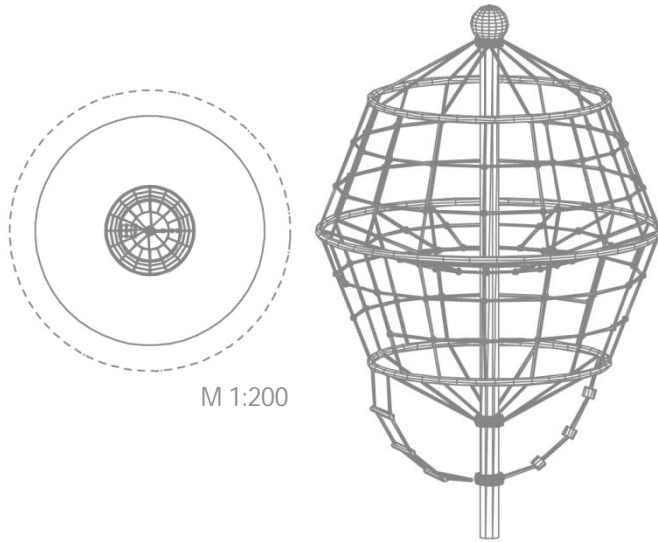


Albero.02 – Product Specification



HodgePodge – A variety of study and durable sport and play elements

HodgePodge is a clever and versatile combination of play equipment and climbing structures that can be used anywhere and for numerous activities.

Climbing trees, a Wasp's nest, Volleyball nets for sporting activities, cable rides for fun and excitement.

Albero.02 – At a glance.

Product Family:	HodgePodge	Number of Foundations:	1 pc.
Item Number:	95.200.020	Concrete Volume C20/C25:	1,2 m³ (42.4 ft³)
Children's Age:	5+	Number of skilled installers required:	2
Fall Height (DIN EN 1176):	3.00 m (9'-11")	Installation Time without foundation:	8 hours
Length x Width x Height:	2.4 m x 2.4 m x 3.7 m (7'-11" x 7'-11" x 11'-11")	Dimensions of largest part:	Ø 0.14 m x 5.2 m (Ø 5 ½" x 17'-1")
Protective Surfacing Area (DIN EN 1176):	7.4 m x 7.4 m	Weight of heaviest part:	105 kg (232 lbs)
Protective Surfacing Area (ASTM 1487):	6.1 m x 6.1 m (19'-9" x 19'-9")	Shipping Volume:	3 m³ (106 ft³)
Minimum space required DIN EN 1176:	42.4 m²	Spare part guarantee:	Lifelong
Minimum space required ASTM 1487:	28.3 m² (304.6 sf)	Certificate according to EN 1176:	No.: Z2.16.01.10256.257 TÜV Product Service

Technical Data.

The following text can also be used for tenders.

Central mast:

Steel pipes Ø 133mm (5 ¼"), wall thickness 6.3mm (1/4"); anticorrosion treatment and color finish: sandblasting and zinc-/ epoxy-/ polyester-process

Mast node:

Framework®-aluminum ball connector, Ø 250mm (9-13/16"); anticorrosion treatment and color finish: sandblasting and zinc-/ epoxy-/ polyester-process

Outer rings:

Bended Framework®-steel pipes, Ø 48,3 mm (1 7/8"); anticorrosion treatment and color finish: sandblasting and zinc-/ epoxy-/ polyester-process

Rope Ladder:

Rope Ø 16 mm (5/8"); black polyamide rungs: Ø 40 mm (1-3/5")

Climbing rope:

Rope Ø 16 mm; with durable ebonite cylinders; distance between cylinders approx. 300 mm (11-13/16"); ebonite cylinders are fixed to the rope with aluminum ferrules

Netting and suspension ropes:

U-Rope®-round strand ropes with steel cores, Ø 16mm (5/8") – unless otherwise noted: with galvanized wires, external strands covered with non-abrasive UV-resistant Polyester-yarn. Rope crossing points localized with durable, drop forged aluminum-ballknots (no plastic)


Berliner
 Berliner Seilfabrik
 Play Equipment Corporation
 96 Brookfield Oaks Drive, Suite 140
 Greenville, SC 29607

T + 1 864 627 1092
 F + 1 864 627 1178

www.berliner-playequipment.com
 info@berliner-seilfabrik.com

Albero.02 – Product Specification




Berliner
Berliner Seilfabrik
Play Equipment Corporation
96 Brookfield Oaks Drive, Suite 140
Greenville, SC 29607

T + 1 864 627 1092
F + 1 864 627 1178

www.berliner-playequipment.com
info@berliner-seilfabrik.com