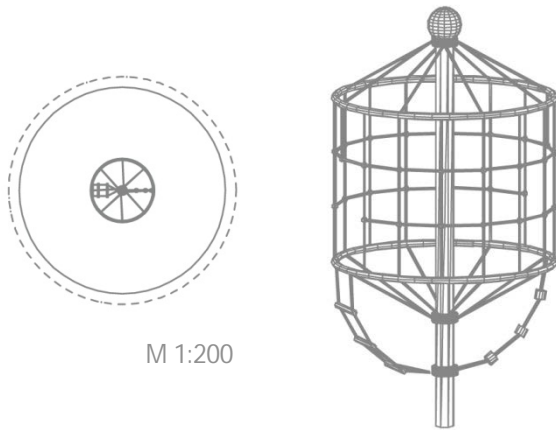


# Albero.01 – Product Specification



## HodgePodge – A variety of study and durable sport and play elements

HodgePodge is a clever and versatile combination of play equipment and climbing structures that can be used anywhere and for numerous activities.

Climbing trees, a Wasp's nest, Volleyball nets for sporting activities, cable rides for fun and excitement.

### Albero.01 – At a glance.

Product Family:	<b>HodgePodge</b>	Number of Foundations:	<b>1 pc.</b>
Item Number:	<b>95.200.010</b>	Concrete Volume C20/C25:	<b>1.2 m<sup>3</sup> (42.4 ft<sup>3</sup>)</b>
Children's Age:	<b>5+</b>	Number of skilled installers required:	<b>2</b>
Fall Height (DIN EN 1176):	<b>2.40 m (7'-11")</b>	Installation Time without foundation:	<b>6 hours</b>
Length x Width x Height:	<b>1.7 m x 1.7 m x 3.1 m (5'-5" x 5'-5" x 10'-0")</b>	Dimensions of largest part:	<b>Ø 0.14 m x 4.6 m (6" x 15'-2")</b>
Protective Surfacing Area (DIN EN 1176):	<b>5.9 m x 5.9 m</b>	Weight of heaviest part:	<b>92 kg (203 lbs)</b>
Protective Surfacing Area (ASTM 1487):	<b>5.4 m x 5.4 m (17'-5" x 17'-5")</b>	Shipping Volume:	<b>2.0 m<sup>3</sup> (71 ft<sup>3</sup>)</b>
Minimum space required DIN EN 1176:	<b>26.9 m<sup>2</sup></b>	Spare part guarantee:	<b>Lifelong</b>
Minimum space required ASTM 1487:	<b>22.1 m<sup>2</sup> (237.9 ft<sup>3</sup>)</b>	Certificate according to EN 1176:	<b>No.: Z2.16.01.10256.257 TÜV Product Service</b>

## Technical Data.

The following text can also be used for tenders.

### Central mast:

Steel pipes Ø 133mm (5 ¼"), wall thickness 6.3mm (1/4"); anticorrosion treatment and color finish: sandblasting and zinc-/ epoxy-/ polyester-process

### Mast node:

Frameworkx®-aluminum ball connector, Ø 250mm (9-13/16"); anticorrosion treatment and color finish: sandblasting and zinc-/ epoxy-/ polyester-process

### Outer rings:

Bended Frameworkx®-steel pipes, Ø 48,3 mm (1 7/8"); anticorrosion treatment and color finish: sandblasting and zinc-/ epoxy-/ polyester-process

### Rope Ladder:

Rope Ø 16 mm (5/8"); black polyamide rungs: Ø 40 mm (1-3/5")

### Climbing rope:

Rope Ø 16 mm; with durable ebonite cylinders; distance between cylinders approx. 300 mm (11-13/16"); ebonite cylinders are fixed to the rope with aluminum ferrules

### Netting and suspension ropes:

U-Rope®-round strand ropes with steel cores, Ø 16mm (5/8") – unless otherwise noted; with galvanized wires, external strands covered with non-abrasive UV-resistant Polyester-yarn. Rope crossing points localized with durable, drop forged aluminum-ballknots (no plastic)

  
 Berliner Seilfabrik  
 Play Equipment Corporation  
 96 Brookfield Oaks Drive, Suite 140  
 Greenville, SC 29607

T + 1 864 627 1092  
F + 1 864 627 1178

www.berliner-playequipment.com  
info@berliner-seilfabrik.com

