

Terranos – Net Helix – Product Specification



Terranos – Elements for Low Ropes Courses

Low Ropes Courses are not so much about the thrills of individual sport, but about psychomotor learning and about teamwork in group initiatives. All that happens in a low-risk environment. The importance of positive social behavior and the ability to communicate can be experienced and the ability for risk assessment is getting playfully improved.

Terranos – Net Helix – at a glance.

Product Family:	Elements for Low Ropes Courses	Number of Foundations:	2 pc.
Item Number:	95.172.211	Concrete Volume C20/C25:	2.02 m³ (71.4 ft³)
Children's Age:	5+	Number of skilled installers required:	2
Fall Height (DIN EN 1176):	1.35 m (4'-6")	Installation Time without foundation:	3 hours
Length x Width x Height:	6.22 m x 0.40 m x 2.4 m (20'-5" x 1'-4" x 7'-11")	Dimensions of largest part:	Ø 0.133 x 3.4 m (5¼" x 11'-2")
Protective Surfacing Area (DIN EN 1176):	9.22 m x 3.61 m	Weight of heaviest part:	75 kg (165.4 lbs)
Protective Surfacing Area (ASTM 1487):	9.87 m x 4.05 m (32'-5" x 13'-4")	Shipping Volume:	2.7 m³ (95.4 ft³)
Minimum space required DIN EN 1176:	28.01 m²	Spare part guarantee:	Lifelong
Minimum space required ASTM 1487:	35.63 m² (383.6 sf)	Certificate according to DIN EN 1176:	No.: Z2.16.01.10256.255 TÜV Product Service

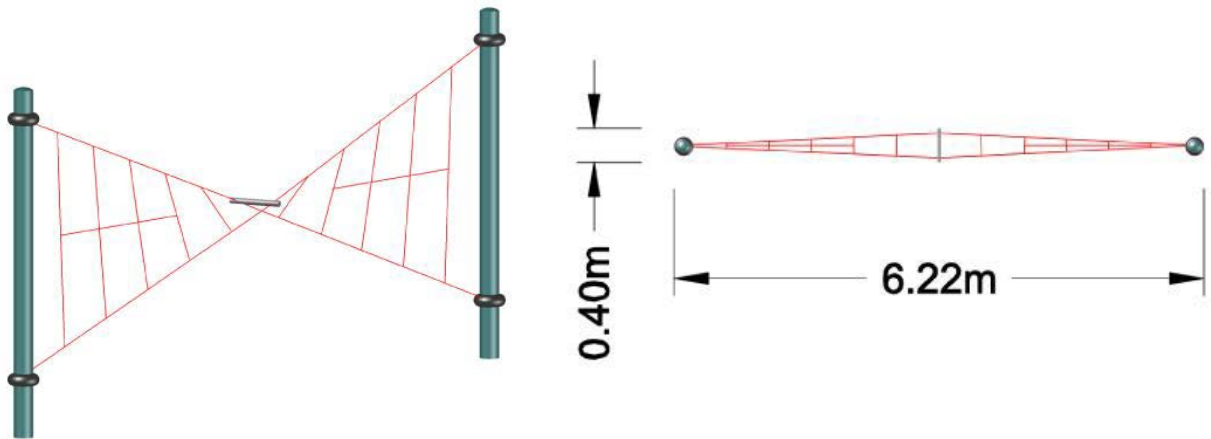

Berliner
 Berliner Seilfabrik
 Play Equipment Corporation
 96 Brookfield Oaks Drive, Suite 140
 Greenville, SC 29607

T + 1 864 627 1092
 F + 1 864 627 1178

www.berliner-playequipment.com
info@berliner-seilfabrik.com



Terranos – Net Helix – Product Specification



Technical Data.

The following text can also be used for tenders.

- 2 Terranos®-Posts (straight) with individually orderable post tops
- Terranos®-clamps
- Rope element Net Helix

Posts:

Steel pipes \varnothing 133 mm (5 1/4"); wall thickness 7,1mm (1/4") with a round cast aluminum post top; anti-corrosion treatment and color finish: sandblasting and solvent-free zinc-/ epoxy-/ polyester-process

Connections:

U-Rope®- TERRANOS® aluminum clamps with ChroX connection on post with infinitely adjustable height and device / adjustable in position, ChroX aluminum connection for fixing the stainless steel chains. All aluminum connectors anticorrosive sandblasted and solvents in epoxy / polyester / burn-colored powder coating. Stainless steel chain fixed by aluminum ferrules on all rope ends fixed for connection to the ChroX connection

Rope:

U-Rope®-round strand ropes with galvanized and covered wires: external strands with non-abrasive UV-resistant Polyester-yarn (no Polypropylene); rope-diameter \varnothing 16 mm (5/8")

Rungs:

All rungs black polyamide: \varnothing 40 mm (1-3/5")

